

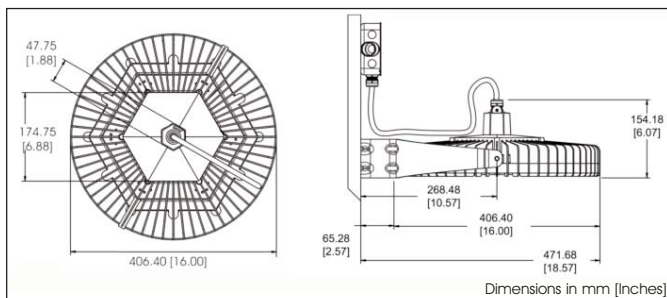


Patent Pending

SafeSite® LED High Bay Luminaire

ATEX/IECEX

9,500 - 14,500lm



Certifications & Ratings

Standard ATEX/IECEX - 14,500lm

- Ex II 2 GD Ex d IIB T4 Gb (factory fitted cable)
- Ex II 2 GD Ex d e IIB T4 Gb (factory fitted junction box)
- Ex tb IIIC 135°C Db

Standard ATEX/IECEX - 9,500lm and 11,500lm

- Ex II 2 GD Ex d IIB T5 Gb (factory fitted cable)
- Ex II 2 GD Ex d e IIB T5 Gb (factory fitted junction box)
- Ex tb IIIC 100°C Db

All Standard ATEX/IECEX

- Certificate numbers: IECEx BAS 10.0074X
Baseefa 10ATEX0148X

Hydrogen Environment ATEX / IECEx Models (9,500 - 11,500lm)

- Ex II 2 GD Ex d IIB+H2 T5 Gb (factory fitted cable)
- Ex II 2 GD Ex d e IIB+H2 T5 Gb (factory fitted junction box)
- Ex tb IIIC T100°C Db IP 66
- Certificate numbers: IECEx BAS 12.0044X
Baseefa 12ATEX0070X

All Models

- ATEX Zones 1, 21
- ATEX Zones 2, 22
- CE
- EN 55015-2006
- EN 61547
- ABS Design Assessed: #13-HS1043210A
- IP 66
- RoHS compliant

Features & Benefits

- L70 rated for > 100,000 hours @ 25°C ambient
- 5 year full performance warranty
- Low power consumption
- Instant on/off operation
- Mercury free, lead free
- Resistant to shock and vibration
- Superior colour rendition index compared to HPS, LPS & MV
- Temperature compensation technology for longer life
- SWB/EPR Cable 3 core 1.5mm² CSA or Junction Box option
- One man installation
- Replaces up to 400W HID fittings
- Optional glass retention film for applications where glass is non-preferred

Application

The Dialight SafeSite® LED High Bay Luminaire was designed specifically to replace conventional lighting in a wide variety of hazardous area applications, both indoor and outdoor. Its low profile light weight design and versatile mounting options make it ideal for High Bay applications for ATEX and IECEx classified hazardous area zones.

All of Dialight's long life LED luminaires are designed to meet the most demanding specification criteria while offering maximum energy savings, reduced maintenance costs, and a superior quality of light.

Mechanical Information

Fixture Weight: 13.6 kg (30 lbs) with fixed cable
15.1 kg (33 lbs) with junction box

Mounting: Stirrup Mounting Bracket included

Wiring options: Factory installed 3 meter SWB cable or factory fitted junction terminal box with 2 off M20 x 1.5mm or 2 off M25 x 1.5mm cable entries

Electrical specifications

Operating Voltage: 100-277V AC, 50/60 Hz

Total System Power Consumption: See table

Operating Temp: -40°C to +60°C

Harmonics: IEC 61000-3-2

Surge Protection: EN 61000-4-5
1 kV line to line, 2 kV line to ground

THD: <12%

Power Factor: > 0.9

Construction

Body: Copper free alum.

Finish: Light grey powder coated

Lens: Toughened glass (optional fragment retention film available)

Photometric Information

CRI: 70

CCT:
14,500: 5,000K (cool white)
9,500-11,000lm: 6,000K (cool white)

All values typical unless otherwise stated

All lumen values are typical (tolerance +/- 10%)



SafeSite® LED High Bay - Ordering Information

Part Number*	Hydrogen Environments	Stainless Steel Fasteners and Gland	Initial Fixture Lumens	Typical	Maximum	Lumens Per Watt	Lens ¹	Optic	Colour Temperature
HBA9CMP			14,500	172W	195W	81	Toughened Glass	Narrow Circular	Cool White
HBA9C4P			11,000	161W	165W	73	Toughened Glass	Narrow Circular	Cool White
HBA9C4M			9,500	150W	165W	63	Toughened Glass	Narrow Circular	Cool White
HBH9C4M	•		9,500	150W	165W	63	Toughened Glass	Narrow Circular	Cool White
HBH9C4M-SS	•	•	9,500	150W	165W	63	Toughened Glass	Narrow Circular	Cool White
Junction Box models									
HBJA9CMP			14,500	172W	195W	81	Toughened Glass	Narrow Circular	Cool White
HBJA9C4P			11,000	161W	165W	73	Toughened Glass	Narrow Circular	Cool White
HBJA9C4M			9,500	150W	165W	63	Toughened Glass	Narrow Circular	Cool White
HBJH9C4M	•		9,500	150W	165W	63	Toughened Glass	Narrow Circular	Cool White




Note for all models:

¹For optional glass fragment retention film, add **-GFILM** to the end of the part code.

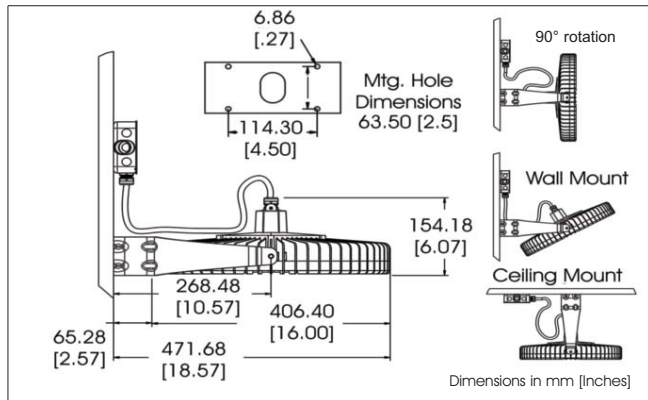
Note for Junction box models only:

²For M25 junction box entry model, add **-M25** to the end of the junction box part number. Example: HBJA9CMP will now become HBJA9CMP-**M25**

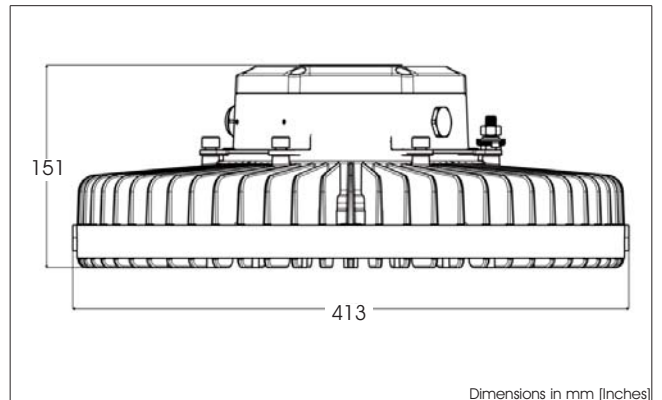
Options and Accessories

	Part Number	Description	Kit includes
	HBXSBDK	Sand blast kit (dome lens)	Bracket Dome lens
	HBXSBDL	Sacrificial dome lens	Replacement dome lens
	HBXSBK	Sand blast kit (flat lens)	Bracket and flat lens
	HBXSBL	Sacrificial flat Lens	Replacement flat lens
	HBXW3-SS	Stainless steel Swivel Bracket	316 bracket and fittings

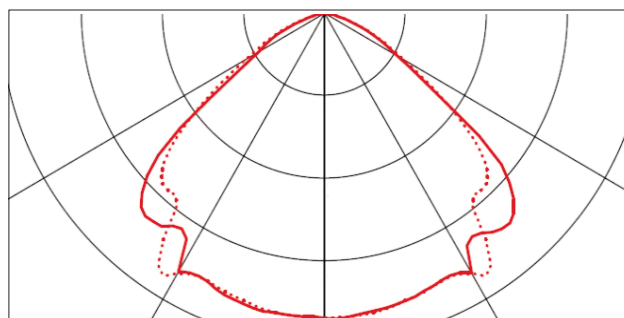
Mounting Options



HBJA9C4M with Junction Box Dimensions



Polar Diagram 9,500 - 14,500lm



Dialight reserves the right to make changes at any time in order to supply the best product possible. The most current version of this document will always be available at: http://www.dialight.com/Assets/Brochures_And_Catalogs/Illumination/MDTFSFIHBEU001.pdf. Warranty Statement: EXCEPT FOR THE WARRANTY EXPRESSLY PROVIDED FOR [HEREIN/ABOVE/BELOW], DIALIGHT DISCLAIMS ANY AND ALL OTHER WARRANTIES, EXPRESS OR IMPLIED, INCLUDING, WITHOUT LIMITATION, ANY WARRANTIES OF MERCHANTABILITY, FITNESS FOR A PARTICULAR PURPOSE, TITLE, AND NON-INFRINGEMENT.